



## TUNING FORK QUARTZ CRYSTAL UNITS

### ◆ 206B Crystal



The tuning fork type quartz crystal provides ultimate in size, performance, and economic trade-offs. So it is used as a clock source in communication equipment, measuring instrument, microprocessor and other time management application

#### FEATURES

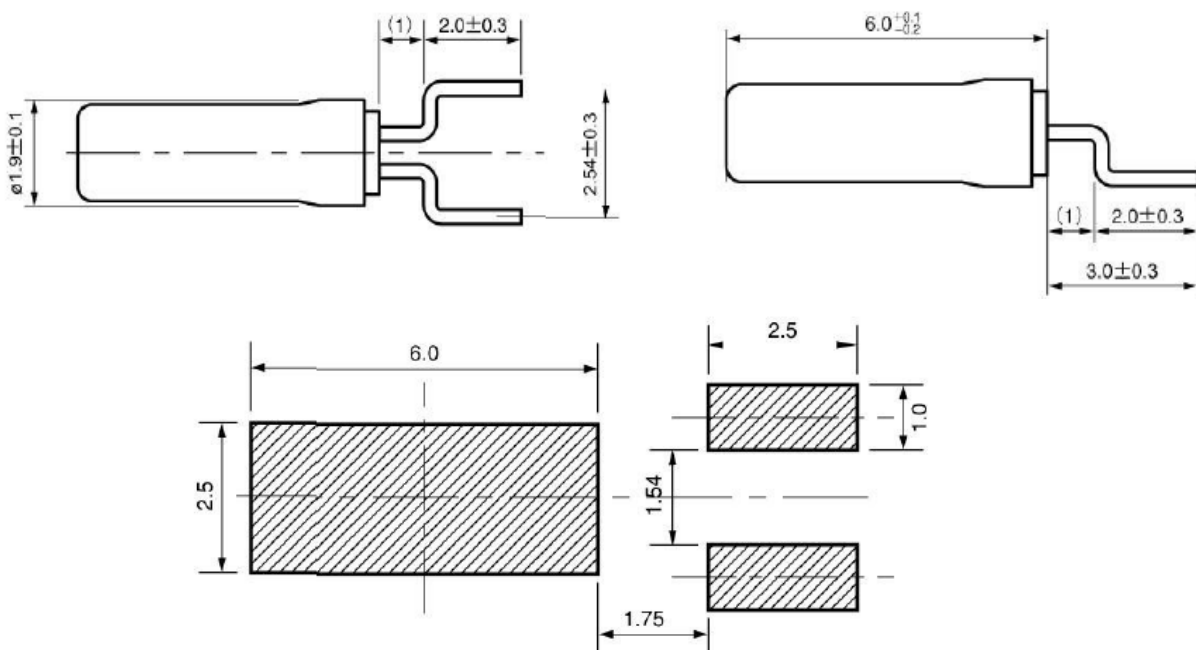
- Miniature Package
- Low Cost
- KHz Frequency
- Tight Tolerance

#### ◆ 标准规格 Electrical Specifics

Item	Type	206B
标准频率 Frequency Range	F0	32.768KHz
负载电容 Load Capacitance	CL	6pF~12.5pF
温度频差 Frequency Tolerance $\Delta F/F0$		$\pm 10\text{ppm} \pm 20\text{ppm} \pm 50\text{ppm} (\text{At } 25^\circ\text{C})$
等效电阻 Equivalent Series Resistance ESR		35K $\Omega$ , 50K $\Omega$ max
温度系数 Temperature Stability K		$-0.042\text{ppm} * (\Delta^\circ\text{C})^2$ max
工作温度 Operating Temperature Range		$-20 \sim +70^\circ\text{C}, -30 \sim +85^\circ\text{C}$
贮存温度 Storage Temperature Range		$-20 \sim +70^\circ\text{C}, -30 \sim +85^\circ\text{C}$
静态电容 Shunt Capacitance C0		1.6pF typ.
动态电容 Motional Capacitance C1		2pF typ.
绝缘电阻 Insulator Resistance IR		500M $\Omega$ min. (At 100VDC)
激励功率 Drive level DL		1 $\mu\text{W}$ max
年老化率 Aging Fa		$\pm 5\text{ppm max. (AT } 25^\circ\text{C, First year)}$
最小包装 Packing Unit		3000pcs/bag

\*\*Please contact us for inquiries regarding other Specifications

#### ◆ 外型尺寸 Mechanical Dimensions(mm)



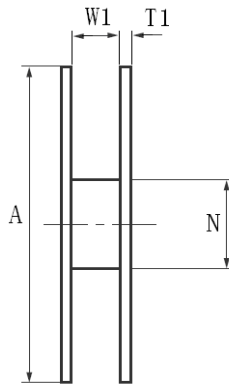
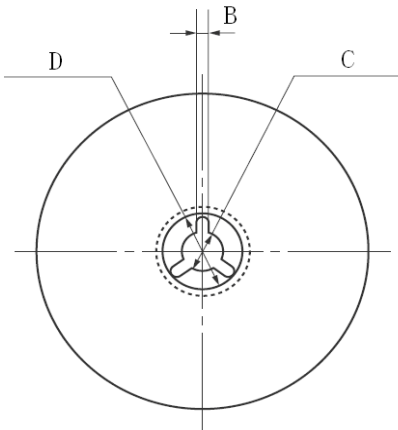
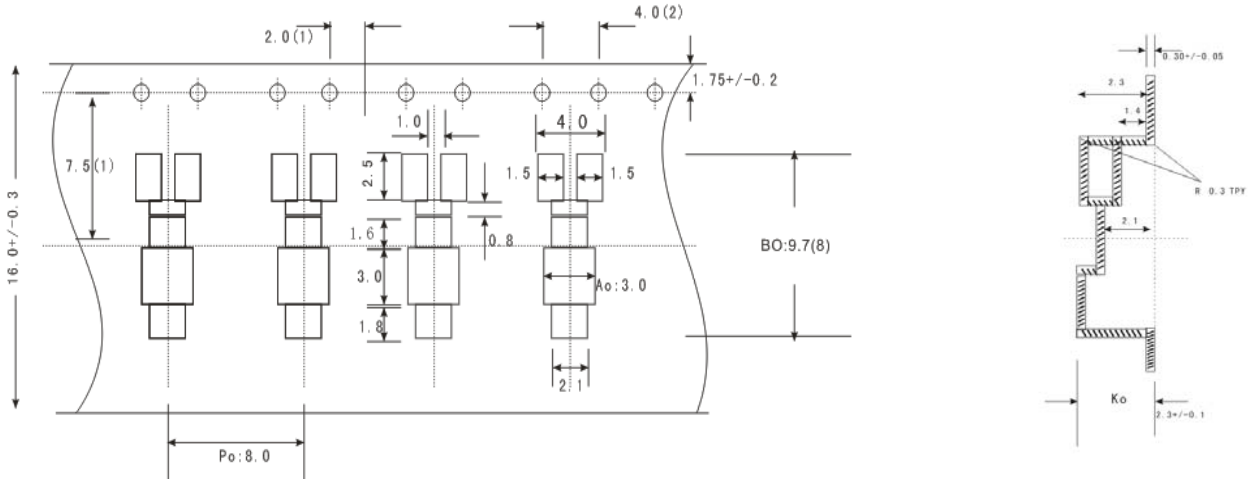


## TUNING FORK QUARTZ CRYSTAL UNITS

### ■ Packing

編帶尺寸 TPYE AND REEL DIMENSIONS (mm)

$\phi: 1.55 \pm 0.05$



項目	206B
A	$\phi 178 \pm 2.0$
B	$2.00 \pm 0.50$
C	$\phi 13.2 \pm 0.20$
D	$\phi 20.0 \pm 0.50$
N	$\phi 60.5 \pm 1.0$
W1	$16.2 \pm 0.20$
T1	$1.80 \pm 0.20$

